

S8 / OPMI Lumera T · S81 / OPMI Lumera T · S88 / OPMI Lumera T



OPMI Lumera T

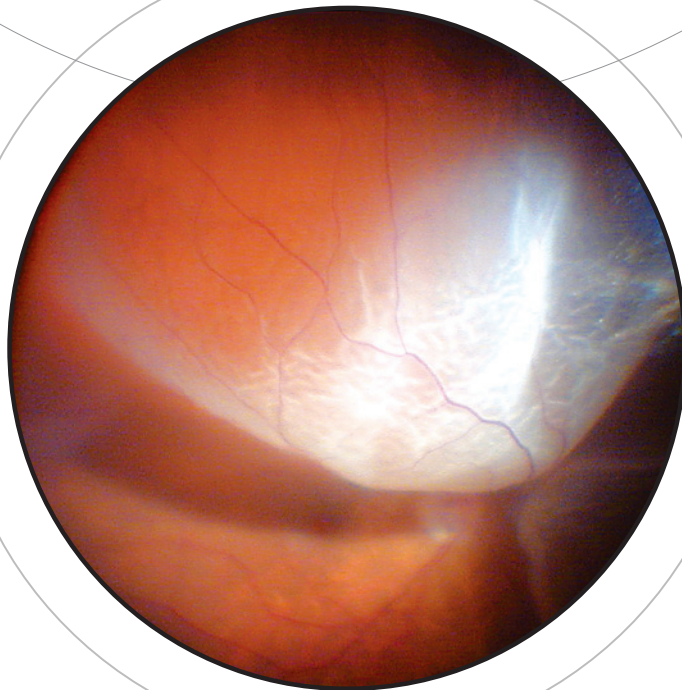
Let there be light



We make it visible.



*Cataract surgery:
SCI enables you to recognize the
slightest tissue residue in detail.*



*Retina surgery:
The high optical quality and light intensity
allow you to see the retina in full detail.*

Precision

Shedding light on the details

The OPMI Lumera® T surgical microscope is a true revolution in the quality of illumination. Carl Zeiss is the first and only company to develop surgical microscopes with Stereo Coaxial Illumination (SCI). You benefit from the unique detail recognition, high-contrast brilliance and stability of the red reflex – even with strongly pigmented, decentered and ametropic eyes. This technology enables you to see all the details of a patient's eye.

Instant red reflex

Simply position the OPMI Lumera T surgical microscope over the patient's eye and turn on the light. The eye illuminates brightly as if you had just turned on a lamp – even with more mature cataracts.

Natural color impression

The integrated Superlux® Eye xenon illumination allows you to see the anatomic structure of the eye in its natural colors and in highly accurate detail. The use of the HaMode™ filter enables surgeons who prefer halogen to quickly switch to a light spectrum equivalent to halogen. This is particularly beneficial when several surgeons with different preferences regarding the light source use one system.

Even deeper insights

It couldn't be any easier: the integrated DeepView depth-of-field management system allows you to choose between maximum depth of field or optimum light transmission at the push of a button.

Always light available

If the system is equipped with halogen illumination, it automatically switches to the backup bulb if necessary. Surgery no longer needs to be interrupted when a bulb goes out.





Performance

Optimum workflow in the OR

The surgical flow is best when all staff are informed of the progress of the procedure and are able to prepare upcoming steps independently. Therefore, it is possible to equip the floorstand for the OPMI Lumera T surgical microscope with an integrated video monitor. It can be placed in various positions, enabling all staff to follow the operation.

Intuitive operation

All illumination settings are configured by only one control element which can be easily reached on the microscope. SCI control is intuitive and easy to understand.

Independent second view

The OPMI Lumera T surgical microscope can be equipped with a completely integrated assistant's microscope. The second surgeon selects the focus and magnification independently of the main surgeon, thus enabling active assistance.

Effortless positioning

The magnetic brakes make positioning the surgical microscope very simple. When the brakes are released, the system smoothly glides into a new position; when locked, the surgical microscope remains firmly in place.



Spans large distances



Effortless positioning

Focus

On demanding tasks

The OPMI Lumera T surgical microscope represents microscope versatility. The flexible surgical microscope can be used in all ophthalmic surgical procedures. The optional integrated assistant's microscope makes it the ideal solution for teaching institutions.

Floating movements

Spans large distances and features a smooth lift function that makes it possible to quickly switch between the working and park position. This means you have a lot of headroom, both in the working position and the extremely compact park position.

Simple Image Data Management

Video Recorder with image data management, that allows you to record videos and capture still images. Using the MEDIALINK™ 100 standard definition videos and images can be automatically transferred to USB storage media or fileserver.

Surgical applications in HD quality

TRIO 610, the apochromatic 3-Chip HD camera system, offers you a great visualization platform for natural color rendition and crisp anatomical details.

Retina Surgery – Enjoy the view of the retina

The fundus viewing system RESIGHT® 700 provides a clear, detailed view of the retina.

Invertertube – For a fast change

Conversions between cataract and retina surgery are a thing of the past. The function of the inverter is already integrated into the binocular tube. An ergonomic design allows the surgeon to sit upright and work in comfort.

Stereo co-observation tube – for a second set of eyes

The second viewing tube connected via a beam splitter enables assistants or students to directly view the surgical field and technique of the surgeon.



MEDIALINK 100



RESIGHT 700



TRIO 610

Patient Care

Safely in the right light

Patients trust in your surgical capabilities. OPMI Lumera T is the great technology to complement your personal desire to provide premium medical care.

Visualization

The SCI illumination technology in OPMI Lumera T establishes an entirely new benchmark regarding contrast and brilliance. You can recognize the slightest residual tissue in the capsular bag and can easily and properly remove it. You can also see small but critical details during procedures on the retina.

The retina team

OPMI Lumera T and RESIGHT® 700 fundus viewing system allow the retinal surgeon to clearly recognize every detail of the retina. Both systems matched together perfectly.

Automatic light control

The system automatically turns off the light when OPMI Lumera T is placed in the standby position.

For minimal light exposure

Thanks to the optical concept of SCI illumination, very little light is required to generate the red reflex. This means less stress for the patient's eye. Furthermore, the full field illumination can be separately regulated so that the red reflex shines as brightly as possible and is not affected by scattered light. This creates greater visualization capabilities, while maximizing the surgeon's comfort – particularly during long, complicated surgeries.



Technical Data

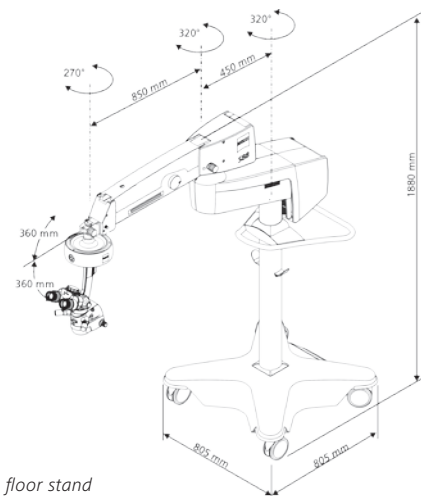
S8 / OPMI Lumera T

S81 / OPMI Lumera T

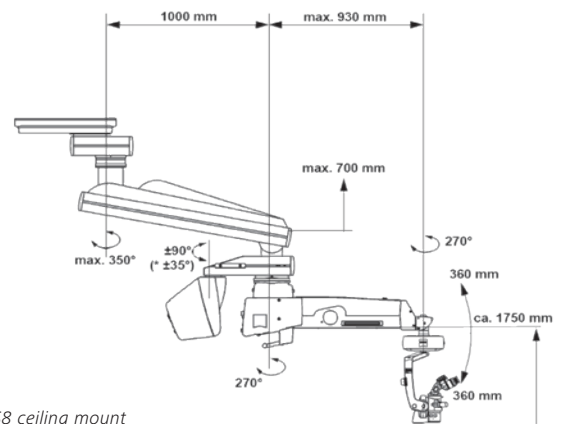
S88 / OPMI Lumera T

Technical data

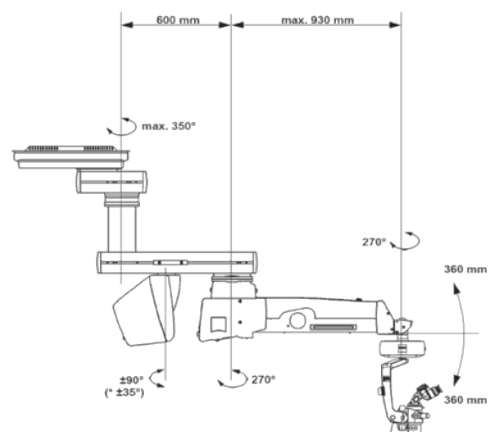
Surgical microscope	Apochromatic optics
	Motorized zoom system, 1:6 zoom ratio, magnification factors = 0.4 to 2.4
	Focusing range: 50 mm
	Binocular tube: Invertertube (optional 0-180° tiltable tube)
	Eyepieces: 10x (12.5x optional)
	Objective lens f = 200 mm (f = 175 mm optional)
	DeepView: depth of field management system
Illumination	Integrated assistant's microscope
	Fully Stereoscopic
Light source	SCI: red reflex illumination and surrounding field illumination, both dimmable, patent pending
	Retinal protection device
	Fiber optic illumination
Light source	Superlux Eye xenon Light Source with manual bulb change
	HaMode filter
	Optional: 12V, 100W halogen Light Source with fully automatic bulb change in case of lamp failure
	Option: dual halogen Light Source
	Optional: xenon / halogen combi Light Source
	Integrated 408 nm UV barrier filter
	Blue blocking filter
X-Y coupling	Optional: fluorescence filter
	40 mm x 40 mm adjustment range
Weight	Button for starting positions of the X-Y coupling and focus
	13.7 kg (30.2 lb) (with Invertertube, integrated assistant's microscope, objective lens and eyepieces)
Suspension system	S88 floor stand
	S8 ceiling mount
	S81 ceiling mount
	Maximum load: 20 kg (44.1 lb) (complete microscope equipment, including accessories)



S88 floor stand



S8 ceiling mount



S81 ceiling mount

Your local contact:

Argentina

Carl Zeiss Argentina S.A.
Calle Nahuel Huapi 4015 / 25
C1430 BCO Buenos Aires
Argentina
Phone: +54 11 45 45 66 61
bruzzi@zeiss.com.ar

Australia

Carl Zeiss Pty Ltd
Tenancy Office 4, Level 1
40-52 Talavera Road
North Ryde NSW 2113
Australia
Phone: +61 2 9020 1333
med@zeiss.com

Austria

Carl Zeiss GmbH
Laxenburger Str. 2
1100 Vienna
Austria
Phone: +43 1 79 51 80
austria@zeiss.org

Belgium

Carl Zeiss NV-SA
Ikaroslaan 49
1930 Zaventem
Belgium
Phone: +32 2 719 39 11
info@zeiss.be

Brazil

Carl Zeiss do Brasil Ltda.
Av. Nações Unidas, 21711
CEP04795-100 São Paulo
Brazil
Phone: +55 11 5693 5521
medbrasil@zeiss.org

Canada

Carl Zeiss Canada Ltd.
45 Valleybrook Drive
Toronto, ON M3B 2S6
Canada
Phone: +1 800 387 8037
czcmed@zeiss.com

China

Carl Zeiss Shanghai Co. Ltd.
1/f., Ke Yuan Building
11 Ri Yin Nan Road
Waigaoqiao Free Trade Zone
2005 Yang Gao Bei Road
Shanghai 200131
China
Phone: +86 21 5048 17 17
sro@zeiss.com.cn

Czech Republic

Carl Zeiss spol. s.r.o.
Radlická 14/3201
150 00 Prague 5
Czech Republic
Phone: +420 233 101 221
zeiss@zeiss.cz

France

Carl Zeiss Meditec France SAS
100, Route de Versailles
CS 30502
78161 Marly-le-Roi Cedex
France
Phone: +33 1 34 80 21 00
med@zeiss.fr

Germany

Carl Zeiss Meditec VG mbH
Carl-Zeiss-Strasse 22
73447 Oberkochen
Germany
Phone: +49 7364 20 6000
vertrieb@meditec.zeiss.com
Surgical Ophthalmology:
Phone: +49 800 470 50 30
iol.order@meditec.zeiss.com

Hong Kong

Carl Zeiss Far East Co. Ltd.
Units 11-12, 25/F
Tower 2, Ever Gain Plaza
No. 88 Container Port Road
Kwai Chung
Hong Kong
Phone: +852 2332 0402
czfe@zeiss.com.hk

India

Carl Zeiss India Pvt. Ltd.
Plot No.3, Jigani Link Road
Bommasandra Industrial Area
Bangalore - 560 099
India
Phone: +91 80 4343 8000
info@zeiss.co.in

Italy

Carl Zeiss S.p.A.
Viale delle Industrie 20
20020 Arese (Milan)
Italy
Phone: +39 02 93773 1
infomed.it@zeiss.com

Japan

Carl Zeiss Meditec Japan Co. Ltd.
Shinjuku Ku
Tokyo 160-0003
22 Honchio-Cho
Japan
Ophthalmic instruments:
Phone: +81 3 33 55 0331
medsales@zeiss.co.jp
Surgical instruments:
Phone: +81 3 33 55 0341
cmskoho@zeiss.co.jp

Malaysia

Carl Zeiss Sdn Bhd.
Lot2, Jalan 243/51 A
46100 Petaling Jaya
Selangor Darul Ehsan
Malaysia
Phone: +60 3 7877 50 58
malaysia@zeiss.com.sg

Mexico

Carl Zeiss de México S.A. de C.V.
Avenida Miguel Angel de Quevedo
496
04010 Mexico City
Mexico
Phone: +52 55 59 99 0200
cz-mexico@zeiss.org

Netherlands

Carl Zeiss B.V.
Trapezium 300
Postbus 310
3364 DL Sliedrecht
Netherlands
Phone: +31 184 43 34 00
info@zeiss.nl

New Zealand

Carl Zeiss (N.Z.) Ltd.
15B Paramount Drive
P.O. Box 121 - 1001
Henderson, Auckland 0650
New Zealand
Phone: +64 9 838 5626
med@zeiss.com

Poland

Carl Zeiss sp. z o.o.
ul. Lopuzanska 32
02-220 Warsaw
Poland
Phone: +48 22 858 2343
medycyna@zeiss.pl

Singapore

Carl Zeiss Ptd. Ltd.
50 Kaki Bukit Place
Singapore 415926
Singapore
Phone: +65 6741 9600
info@zeiss.com.sg

South Africa

Carl Zeiss (Pty.) Ltd.
363 Oak Avenue
Ferndale
Randburg 2194
South Africa
Phone: +27 11 886 9510
info@zeiss.co.za

South Korea

Carl Zeiss Co. Ltd.
Seoul 121-828
Mapo-gu
141-1, Sangsu-dong
2F, BR Elitel Bldg.
South Korea
Phone: +82 2 3140 2600
korea@zeiss.co.kr

Spain

Carl Zeiss Meditec Iberia S.A.U.
Ronda de Poniente, 15
Tres Cantos
28760 Madrid
Spain
Phone: +34 91 203 37 00
info@zeiss.es

Sweden

Carl Zeiss AB
Tegeluddsvaegen 76
10254 Stockholm
Sweden
Phone: +46 84 59 25 00
info@zeiss.se

Switzerland

Carl Zeiss AG
Feldbachstrasse 81
8714 Feldbach
Switzerland
Phone: +41 55 254 72 00
med@zeiss.ch

Thailand

Carl Zeiss Thailand
90 CyberWorld Tower A,
36th Floor, Unit A 3601
230 Ratchadapisek Road
Huaykhwang, Bangkok 10310
Thailand
Phone: +66 2 248 8787
thailand@zeiss.com.sg

United Kingdom

Carl Zeiss Ltd.
509 Coldhams lane
Cambridge
CAMBS
CB1 3JS,
United Kingdom
Phone: +44 1223 401450
customer@zeiss.co.uk

United States of America

Carl Zeiss Meditec, Inc.
5160 Hacienda Drive
Dublin, CA 94568
USA
Phone: +1 925 557 4100
info@meditec.zeiss.com



Carl Zeiss Meditec AG

Goeschwitzer Strasse 51–52
07745 Jena
Germany
www.meditec.zeiss.com
www.meditec.zeiss.com/contacts

EN_30_010_01021 SUR_5055 Printed in Germany CZ-IV/2013

OPMI Lumera, Superlux, RESIGHT, HaMode and MEDIALINK are registered trademarks of Carl Zeiss. The contents of the brochure

may differ from the current status of approval of the product in your country. Please contact your regional representative for more information.

Subject to change in design and scope of delivery and as a result of ongoing technical development. Printed on elemental chlorine-free bleached paper.

© 2012 by Carl Zeiss Meditec AG. All copyrights reserved.